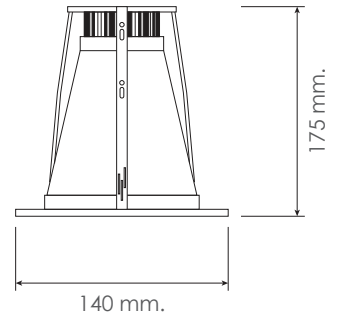


EDLV - 004

RECESSED VERTICAL DOWNLIGHT



Input Voltage 220V AC
 Lamp E27 x 1 (Max. 14W)
 G24 x 1 (Max. 13W)
 Housing High cold rolled steel sheet.
 Painting Coated with polyester powder.
 Reflector Aluminium reflector.
 Installation Recessed.
 Application Building, Hospital, Hotel,
 Restuarant, Showroom, etc.



EDLV - 005

RECESSED VERTICAL DOWNLIGHT



Input Voltage 220V AC
 Lamp E27 x 1 (Max. 18W)
 G24 x 1 (Max. 18W)
 Housing High cold rolled steel sheet.
 Painting Coated with polyester powder.
 Reflector Aluminium reflector.
 Installation Recessed.
 Application Building, Hospital, Hotel,
 Restuarant, Showroom, etc.

